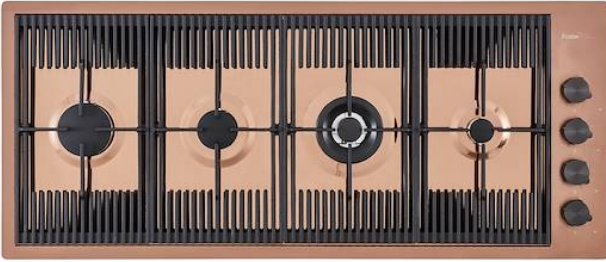


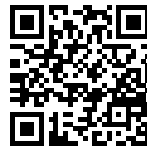
## MILANO 4 BRULEURS COPPER



Gas hobs

Code: G681 F08

TABLE CUISSON GAZ MILANO A FLEUR COPPER- 4 brûleurs



### DETAILS

Coloring Copper

Edge/Installation Type Flush-mount | Top-mount

Finish PVD

Material AISI 304 stainless steel

Texture Brushed in line

Supply 220-240 V; 50/60 Hz

Dimensions 1115x476 mm

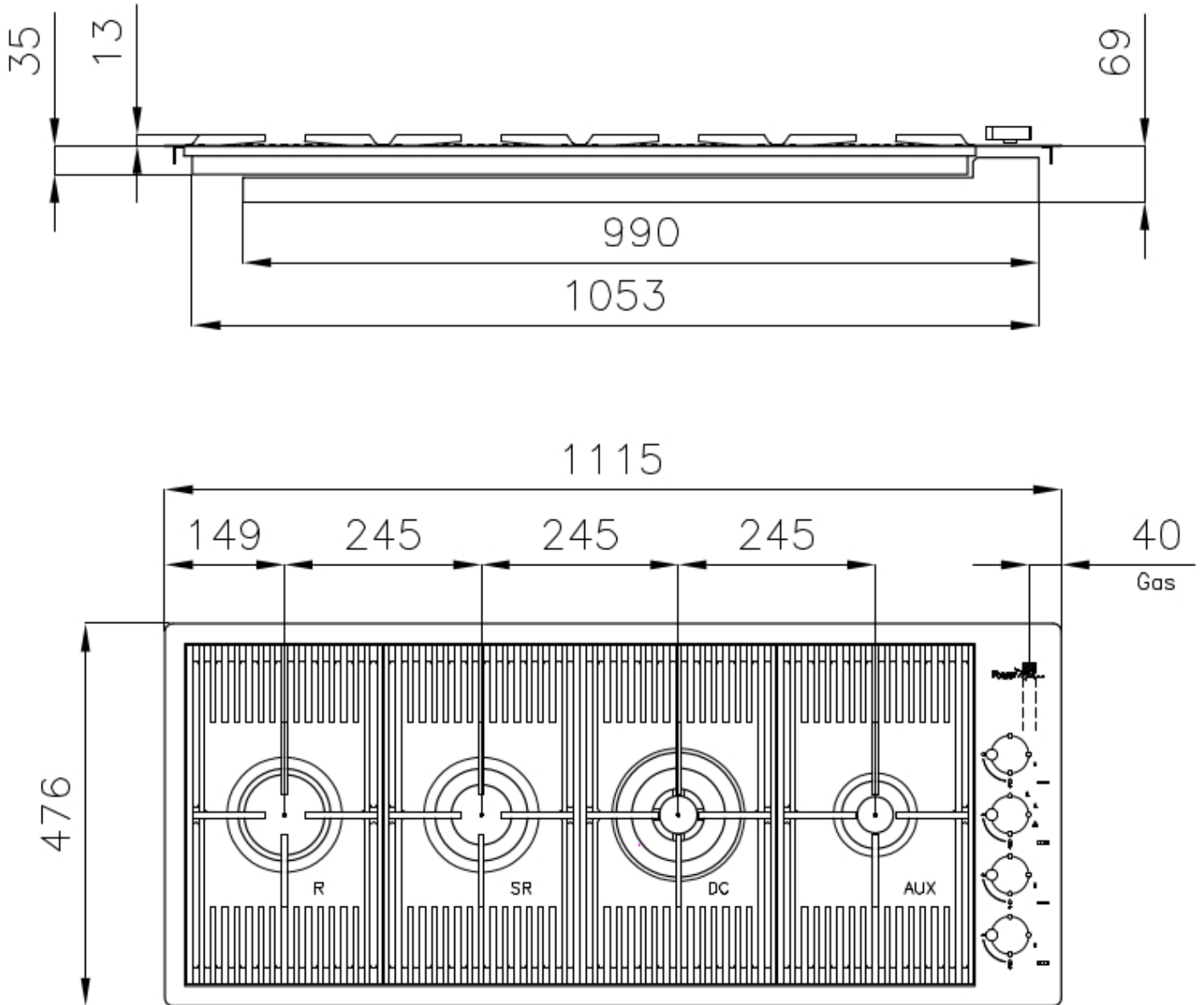
Base size 120cm

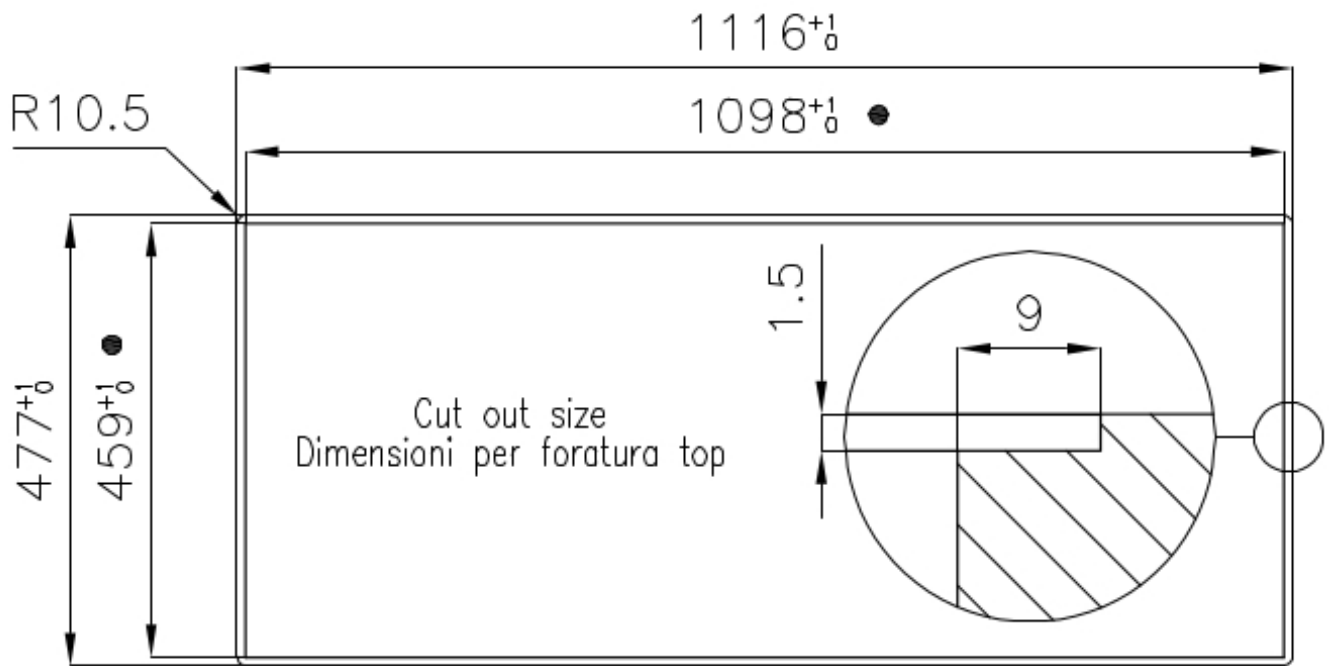
Heating element	Four burners
Built-in hole	<a href="#">View technical data sheet</a>
Grids	Cast iron grids and enamelled burner covers
Width	111 cm
Total power	10.750 W
Auxiliary	1.000 W
Semirapid	1.750 W
Rapid	3.000 W
Dual	5.000 W
Safety	Safety valve with quick-acting thermocouple
Ignition	Electric ignition under knob
Gas type	Tested for installation with natural gas, LPG nozzle set included.
Type	Gas Hob

## FEATURES

Copper	The Copper finish is obtained by treating steel with a physical process called PVD (Physical Vacuum Deposition) which deposits particles of noble metals on the surface. The result is a unique and refined aesthetic effect, and an improvement of the mechanical properties of the steel which is more resistant to impact and scratches.
Aeo burners	The AEO burners guarantee up to 25% energy saving compared to standard burners. All models are designed with The Dual burner with 2 independent crowns, controlled by a single knob, delivers from 1 to 5KW, a power that can only be found in professional models.
Cast iron grids	Cast-iron is the ideal material for an hob grid, this due to the manifold properties characterising it: high heat capacity that improves cooking performance; high weight and stability that improve safety; sturdiness that preserves the hob's original aspect over time; easy cleaning.
Safe cooking	All Foster cooker hobs are equipped with safety valves. They shut off the gas supply very quickly if the flame accidentally goes out.
Special burners	Many Foster hobs are equipped with special burners, with two or three rings of fire that greatly increase the power delivered and the heated surface. In the DUAL models the two fire crowns also have independent ignition, making these burners perfect for both intensive and delicate cooking.
Ultra-flat hob	Design meets functionality in the the ultra-flat models. Elegant grids that form a generously sized overall surface.
Under-knob ignition	The utmost freedom of movement with electronic under-knob ignition, a common feature of all models that allows a one-hand ignition of the burner.

## TECHNICAL DATA





- Built-in cut out for FTS – Foratura per installazione FTS

## RECOMMENDED PAIRINGS



**RIVA 750 COPPER**  
N034 F58



**RIVA 750 COPPER SOUS PLAN**  
N034 S58